

# **Teraflo<sup>®</sup>**

SUBMERSIBLE PUMPS



*Powerful Performer*

# Teraflo®

SUBMERSIBLE PUMPS



BEE/FEL/0329/12



BEE/TEL/0254/12

IS : 8034



CM/L 3879793



CB 004

IS : 14220



CM/L 3879894

CE

एन एस आई सी  
**NSIC**  
ISO 9001 : 2008

The National Small Industries Corporation Ltd



**CUSTOMER SATISFACTION**



**INDEX**

<b>SR. NO.</b>	<b>CONTENTS</b>	<b>PAGE NO.</b>
1.	Company Profile	01
2.	Facilities at plant	02
3.	Model Identification Table	03
4.	Quality Certificates	04
5.	V3 Submersible pumpset	05
6.	V4 Submersible pumpset	07
7.	V5 Submersible pumpset	11
8.	V6 Submersible pumpset (50FT)	13
9.	V6 Submersible pumpset (Radial / Mix flow)	17
10.	V7 Submersible pumpset (Janta Model)	21
11.	V8 Submersible pumpset (Janta Model)	23
12.	Openwell Submersible pumps	25
13.	Control Panel	27
14.	Cable selection Table	28
15.	Capacitor & Relay selection Table	29
16.	Conversion Table	29
17.	Current Rating Table	30
18.	Friction Loss Table	31
19.	Discharge Rate Table	32



## Company Profile

**Teraflo Engineering. Pvt. Limited** is a leading manufacturer and exporter of Submersible Pumpsets as well as all kind of water handling pumps including Open well Submersible Pumps & Monoblock pumps etc. under registered brand name of "Teraflo" pumps.

Teraflo Engineering. Pvt. Limited was established in 1999 which was specialize company for manufacturing of V3 Submersible Pumpsets & high head radial flow ( 50 ft. per stage ) submersible bare pumps.

Teraflo Engineering. Pvt. Limited is now fully equipped with manufacturing set up of all range including V4 Submersible pumpset, V5 Submersible pumpset, V6 Submersible pumpset, V7 Submersible pumpset, V8 Submersible pumpset including Openwell Submersible monoblock pumps in horizontal & vertical ranging from 0.5 hp to 30 hp.

Teraflo Engineering. Pvt. Limited has established the new manufacturing set up in well known Industrial area at Lothada (Gujarat ) where well known industrial companies has established their plants. The new plant is well equipped automated with modern manufacturing machineries including CNC Machines, Auto induction, online testing, burnishing, balancing etc. along with all types measuring equipment .Our laboratory fully equipped with modern test equipment.

Japanese manufacturing techniques such as Kaizen, Kanban, Zero defect, single piece flow, Pokayoke etc. are well implemented to match the world class manufacturing techniques.

Teraflo Engineering. Pvt. Limited are ISO 9001:2008 certified company accredited by DAC. Products are also having CE certification

(Conforming European) enable to export to Europe as well as other countries. The separate BIS certifications for Submersible pumpset ( IS: 8034) and Openwell Pump( IS : 14220 ) sets are also available. All range of high head radial flow pumps are cover under BEE five star rating.

Teraflo Engineering. Pvt. Limited are also having product approval certification from NABL test lab. Such as NSIC as well as EQDC. Teraflo products are also compliance the third party inspection agencies which are the well known certification bodies in Indian as well as abroad.

Teraflo Engineering. Pvt. Limited having two manufacturing plants at Lothada, area speared over 40,000 sq. ft. land area. The Annual manufacturing capacities of over 20000 Pumpsets has been established in new setup plants. Teraflo pumps also started their second unit of foundry with two induction furnace and having production capacity of 50 tons per month.

Mr. Divyesh Togadia, Mr. P. Y. Muley, Mr. Nirav Bhatt & Mr. Sanjay Rakholiya are the Directors, most qualified and knowledgeable professionals in the field with rich hands-on experience in the pump industry.

Teraflo pumps was also participated in many national as well as International exhibitions.

Teraflo brand itself is very popular for quality product in India and abroad.

Till date more than 4 Lac and above pumpsets working satisfactorily all over the country with different OEM brands.



## FACILITIES AT PLANT



**Rotor Process Layout**



**Stator Process Layout**



**Brazing Process**



**Stack Insertion Process**



**Burnishing Process**



**Welding Process**



**Balancing Process**

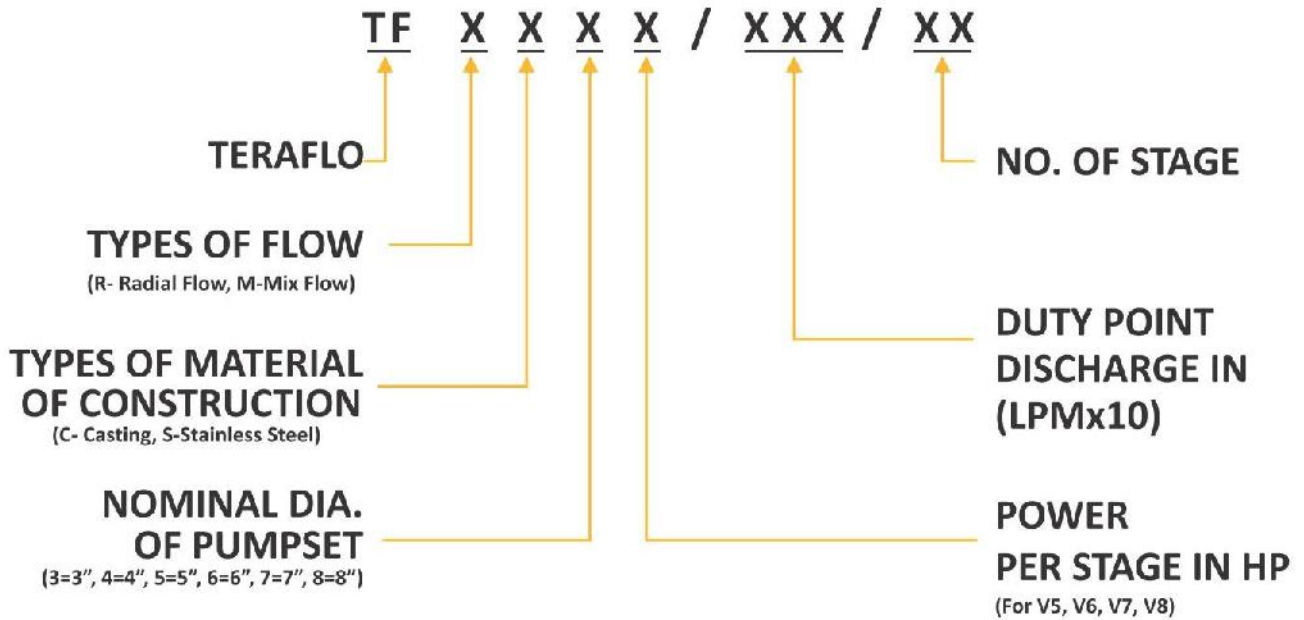


**CNC Turning Process**



## General Information

### MODEL IDENTIFICATION CODE





Teraflo

## CERTIFICATIONS



## V3 Submersible Pump Set ( 68 MM & 74 MM)

Teraflo brand makes highly efficient durable and best Quality V3 submersible pumpset with water filled motors. Available on both outer diameter of 68mm & 74mm.



### SALIENT FEATURES

1. Fully stainless steel stator tube.
2. All the diffusers and impellers are glass filled engineer polymer with stainless steel wear rings.
3. Rotor supply with Epoxy paint for long life and corrosion free.
4. Dynamically balance rotor which give noise less & vibration free operation.
5. Light weight & Easy to operate in wide voltage band.
6. All parts machined on CNC to set consistent Quality performance.
7. Rotor are grinded & burnished to give better surface finish value which ensure long life.
8. Can be installed with HDPE/UPVE Pipes.
9. Start Easily at low voltage.
10. All hardware are stainless steel
11. All rubber parts are which NBR

### APPLICATION

1. Domestic water supply-Apartment, Building & Hotel
2. Fountains, Canals & Rivers.
3. Solar Application
4. Domestic water supply.
5. Fire Fighting System.
6. Unshaped and crossed borewell.
7. Replace of hand pump.

### MATERIAL OF CONSTRUCTION

#### MOTOR

Motor Shaft	: AISI 410
Casting Part	: CI FG 200
Thrust Bearing	: Tilting pad self alignment carbon S/S
Winding Wire	: Multi layer polyester insulated
Copper	: E.C. grade (99.9%)

#### PUMP

Bowl& Impeller	: Glass Filled engineered polymer.
Suction& NRV	: CI FG 200 grade.
Pump Shaft	: Stainless Steel AISI 410
Pump casing	: Stainless Steel
All Hardware	: Stainless Steel AISI 304

### TECHNICAL SPECIFICATION

Head Range	: 6 To 109 Meter.
Discharge Range	: 10 to 90 LPM.
Motor Rating	: 0.5HP to 1.5HP, 220V, 50Hz, AC Supply
Voltage Range	: 140V to 240V



## SELECTION CHART FOR TERAFFLO (75MM) 3" SUBMERSIBLE PUMPSETS

40 LPM MAX.O.D : 68 MM.

OUTLET SIZE : 25 MM 2900 RPM

PUMP MODEL	STAGE	MOTOR RATING		DISCHARGE							
		H.P	kW	M <sup>3</sup> /hr	0.6	1.2	1.8	2.4	3.0	3.6	4.2
TFRS3/4/7	7	0.5	0.37	LPM	10	20	30	40	50	60	70
TFRS3/4/10	10	0.75	0.55	TOTAL HEAD IN METERS	26	25	23	21	19	15	11
TFRS3/4/12	12	1.0	0.75		37	35	33	30	27	22	16
TFRS3/4/15	15	1.25	0.93		44	42	40	36	32	26	19
TFRS3/4/20	20	1.5	1.1		56	53	50	45	40	33	24
					74	70	66	60	53	44	32

50 LPM MAX.O.D : 68 MM.

OUTLET SIZE : 25 MM 2900 RPM

PUMP MODEL	STAGE	MOTOR RATING		DISCHARGE							
		H.P	kW	M <sup>3</sup> /hr	1.2	1.8	2.4	3.0	3.6	4.2	4.8
TFRS3/5/6	6	0.5	0.37	LPM	20	30	40	50	60	70	80
TFRS3/5/8	8	0.75	0.55	TOTAL HEAD IN METERS	22	21	20	18	16	13	10
TFRS3/5/10	10	1.0	0.75		30	28	26	24	21	18	14
TFRS3/5/12	12	1.25	0.93		37	35	33	30	27	22	17
TFRS3/5/15	15	1.5	1.1		44	42	40	36	32	26	20
					56	53	50	45	40	33	26

40 LPM MAX.O.D : 74 MM.

OUTLET SIZE : 25 MM 2900 RPM

PUMP MODEL	STAGE	MOTOR RATING		DISCHARGE							
		H.P	kW	M <sup>3</sup> /hr	0.6	1.2	1.8	2.4	3.0	3.6	4.2
TFR3/4/7	7	0.5	0.37	LPM	10	20	30	40	50	60	70
TFR3/4/10	10	0.5	0.37	TOTAL HEAD IN METERS	27	25	22	18	14	10	6
TFR3/4/13	13	0.75	0.55		39	36	32	26	20	14	8
TFR3/4/15	15	0.75	0.55		51	47	41	34	26	18	10
TFR3/4/17	17	1.0	0.75		59	54	47	39	30	21	12
TFR3/4/20	20	1.0	0.75		66	61	54	44	34	24	14
TFR3/4/24	24	1.25	0.93		78	72	63	52	40	28	16
TFR3/4/26	26	1.5	1.1		94	86	76	62	48	34	19
TFR3/4/28	28	1.5	1.1		101	94	82	68	52	36	21
					109	101	88	73	56	39	22

50 LPM MAX.O.D : 74 MM.

OUTLET SIZE : 32 MM 2900 RPM

PUMP MODEL	STAGE	MOTOR RATING		DISCHARGE							
		H.P	kW	M <sup>3</sup> /hr	1.2	1.8	2.4	3.0	3.6	4.2	4.8
TFR3/5/7	7	0.5	0.37	LPM	20	30	40	50	60	70	80
TFR3/5/10	10	0.75	0.55	TOTAL HEAD IN METERS	27	26	23	20	16	12	8
TFR3/5/12	12	1.0	0.75		39	37	34	29	24	18	11
TFR3/5/15	15	1.25	0.93		47	44	40	35	28	21	13
TFR3/5/20	20	1.5	1.1		59	56	50	44	35	26	17
					78	74	67	58	47	35	22

60 LPM MAX.O.D : 74 MM.

OUTLET SIZE : 32 MM 2900 RPM

PUMP MODEL	STAGE	MOTOR RATING		DISCHARGE							
		H.P	kW	M <sup>3</sup> /hr	1.8	2.4	3.0	3.6	4.2	4.8	5.4
TFR3/6/6	6	0.5	0.37	LPM	30	40	50	60	70	80	90
TFR3/6/8	8	0.75	0.55	TOTAL HEAD IN METERS	25	24	22	19	16	13	10
TFR3/6/10	10	1.0	0.75		34	32	29	25	21	17	13
TFR3/6/12	12	1.25	0.93		42	40	36	32	27	22	16
TFR3/6/15	15	1.5	1.1		50	48	43	38	32	26	19
					63	60	54	47	40	32	24

## V4 Submersible Pumpset

Teraflo brand makes highly efficient best Quality water filled submersible pumpset.



### SALIENT FEATURES

1. International NEMA spline coupling.
2. Thrust Bearing used with resins impregnated carbon v/s SS segments to ensure thrust load.
3. Impeller & Diffusers are used with glass filled engineering polymer with stainless steel wear rings.
4. Specially design for low voltage application.
5. Rotors are dynamically balance to minimise noise & vibration.
6. Pump & motors are in fully stainless steel design.
7. Rotor are painted with special epoxy paint for long life.
8. All sleeves are hard chrome plated to ensure the long life in sandy condition.
9. All the pumps are supply with guide bush at suction end along with sand protection.
10. NRV provided for reduce the back flow.

### APPLICATION

1. Domestic water supply.
2. Industrial.
3. Agriculture.
4. Solar pumping system.
5. Fountains, Garden.

### MATERIAL OF CONSTRUCTION

#### MOTOR

Motor Shaft	: Stainless steel AISI 410 / AISI 431.
Casting Part	: Cast Iron FG 200 grade.
Thrust Bearing	: Carbon v/s stainless steel
Stamping	: Silicon steel.
Cooper	: EC Grade 99.9%

#### PUMP

Impeller & Diffuser	: Glass Filled engineered polymer.
Pump Shaft	: Fully Stainless Steel AISI 410
Suction Housing	: Cast Iron FG 200 grade with leaded bronze guide bush.
NRV	: Cast Iron FG 200
Sleeve	: AISI 410 with hard chrome plating

### TECHNICAL SPECIFICATION

Head Range	: 4 to 302 meter
Discharge Range	: 10 to 450 LPM
Motor Rating	: 0.5HP to 5.0HP in Single Phase - 230V, 50Hz, AC Supply 0.5HP to 7.5HP in Three Phase - 380V / 415V, 50Hz, AC Supply
Voltage Range	: 150V to 250V (1 Phase) 200V to 440V (3 Phase)



## SELECTION CHART FOR TERAFL0 (100MM) 4" SUBMERSIBLE PUMPSETS

30 LPM

OUTLET SIZE : 32 MM 2900 RPM

PUMP MODEL	STAGE	MOTOR RATING		DISCHARGE					
		H.P	kW	M <sup>3</sup> /hr	0.6	1.2	1.8	2.4	3.0
				LPM	10	20	30	40	50
TFR4/3/7	7	0.5	0.37	TOTAL HEAD IN METERS	50	45	37	27	14
TFR4/3/12	12	0.75	0.55		86	77	64	46	24
TFR4/3/14	14	1.0	0.75		101	90	74	53	28
TFR4/3/15	15	1.0	0.75		108	96	80	57	30
TFR4/3/20	20	1.5	1.1		144	128	106	76	40
TFR4/3/24	24	1.5	1.1		173	154	127	91	48
TFR4/3/26	26	1.5	1.1		187	166	138	99	52
TFR4/3/28	28	2.0	1.5		202	179	148	106	56
TFR4/3/30	30	2.0	1.5		216	192	159	114	60
TFR4/3/38	38	3.0	2.2		274	243	201	144	76
TFR4/3/42	42	3.0	2.2		302	269	223	160	84

35 LPM

OUTLET SIZE : 32 MM 2900 RPM

PUMP MODEL	STAGE	MOTOR RATING		DISCHARGE					
		H.P	kW	M <sup>3</sup> /hr	0.9	1.5	2.1	2.7	3.3
				LPM	15	25	35	45	55
TFR4/35/5	5	0.5	0.37	TOTAL HEAD IN METERS	38	33	27	21	13
TFR4/35/10	10	0.75	0.55		75	67	54	41	25
TFR4/35/12	12	1.0	0.75		90	80	65	49	30
TFR4/35/14	14	1.5	1.1		105	93	76	57	35
TFR4/35/17	17	1.5	1.1		128	113	92	70	43
TFR4/35/20	20	2.0	1.5		150	133	108	82	50
TFR4/35/24	24	2.0	1.5		180	160	130	98	60
TFR4/35/26	26	2.0	1.5		195	173	140	107	65
TFR4/35/28	28	3.0	2.2		210	186	151	115	70
TFR4/35/30	30	3.0	2.2		225	200	162	123	75
TFR4/35/32	32	3.0	2.2		240	213	173	131	80

50 LPM

OUTLET SIZE : 32 MM 2900 RPM

PUMP MODEL	STAGE	MOTOR RATING		DISCHARGE							
		H.P	kW	M <sup>3</sup> /hr	0.6	1.8	2.4	3.0	3.6	4.2	5.4
				LPM	10	30	40	50	60	70	90
TFR4/5/6	6	0.50	0.37	TOTAL HEAD IN METERS	43	38	35	32	28	24	14
TFR4/5/8	8	0.75	0.55		57	50	47	42	38	32	18
TFR4/5/10	10	1.0	0.75		71	63	59	53	47	40	23
TFR4/5/15	15	1.5	1.1		107	95	88	80	71	60	35
TFR4/5/20	20	2.0	1.5		142	126	117	106	94	80	46
TFR4/5/25	25	3.0	2.2		178	158	146	133	118	100	58

## SELECTION CHART FOR TERAFFLO (100MM) 4" SUBMERSIBLE PUMPSETS

60 LPM

OUTLET SIZE : 32 MM 2900 RPM

PUMP MODEL	STAGE	MOTOR RATING		DISCHARGE								
		H.P	kW		M <sup>3</sup> /hr	1.8	2.4	3.0	3.6	4.2	4.8	5.4
				LPM	30	40	50	60	70	80	90	
TFR4/6/6	6	0.75	0.55	TOTAL HEAD IN METERS	44	42	38	34	28	23	16	
TFR4/6/8	8	1.0	0.75		59	56	51	45	38	30	22	
TFR4/6/10	10	1.5	1.1		74	70	64	56	47	38	27	
TFR4/6/12	12	1.5	1.1		89	84	77	67	56	46	32	
TFR4/6/15	15	2.0	1.5		111	105	96	84	71	57	41	
TFR4/6/18	18	3.0	2.2		133	126	115	101	85	68	49	
TFR4/6/20	20	3.0	2.2		148	140	128	112	94	76	54	
TFR4/6/22	22	3.0	2.2		163	154	141	123	103	84	59	
TFR4/6/24	24	3.0	2.2		178	168	154	134	113	91	65	

70 LPM

OUTLET SIZE : 38 MM 2900 RPM

PUMP MODEL	STAGE	MOTOR RATING		DISCHARGE								
		H.P	kW		M <sup>3</sup> /hr	2.4	3.0	3.6	4.2	4.8	5.4	6.0
				LPM	40	50	60	70	80	90	100	
TFR4/7/5	5	0.75	0.55	TOTAL HEAD IN METERS	34	31	29	26	23	19	16	
TFR4/7/6	6	1.0	0.75		40	38	35	31	27	23	19	
TFR4/7/8	8	1.5	1.1		54	50	46	41	36	30	25	
TFR4/7/11	11	1.5	1.1		74	69	63	57	50	42	34	
TFR4/7/12	12	2.0	1.5		80	75	69	62	54	46	37	
TFR4/7/15	15	2.0	1.5		101	94	86	77	68	57	47	
TFR4/7/17	17	3.0	2.2		114	106	98	88	77	65	53	
TFR4/7/19	19	3.0	2.2		127	119	109	98	86	72	59	
TFR4/7/23	23	3.0	2.2		154	144	132	118	104	87	71	
TFR4/7/26	26	4.0	3.0		174	163	150	134	117	99	81	
TFR4/7/28	28	4.0	3.0		188	175	161	144	126	106	87	
TFR4/7/30	30	5.0	3.7		201	188	173	155	135	114	93	
TFR4/7/32	32	5.0	3.7		214	200	184	165	144	122	99	
TFR4/7/36	36	5.0	3.7		241	225	207	185	162	137	112	

120 LPM

OUTLET SIZE : 38 MM 2900 RPM

PUMP MODEL	STAGE	MOTOR RATING		DISCHARGE								
		H.P	kW		M <sup>3</sup> /hr	3.6	4.8	6.0	7.2	8.4	9.6	10.8
				LPM	60	80	100	120	140	160	180	
TFR4/12/5	5	1.0	0.75	TOTAL HEAD IN METERS	35	33	29	24	18	12	5	
TFR4/12/7	7	1.5	1.1		49	46	40	33	25	16	7	
TFR4/12/10	10	2.0	1.5		70	65	57	47	36	23	10	
TFR4/12/12	12	3.0	2.2		84	78	68	56	43	28	12	
TFR4/12/15	15	3.0	2.2		105	98	86	71	54	35	15	
TFR4/12/19	19	4.0	3.0		133	124	108	89	68	44	19	
TFR4/12/22	22	5.0	3.7		154	143	125	103	79	51	22	
TFR4/12/25	25	5.0	3.7		175	163	143	118	90	58	25	



## SELECTION CHART FOR TERAFL0 (100MM) 4" SUBMERSIBLE PUMPSETS

170 LPM

OUTLET SIZE : 50 MM 2900 RPM

PUMP MODEL	STAGE	MOTOR RATING		DISCHARGE							
		H.P	kW	M <sup>3</sup> /hr	6.6	7.8	9.0	10.2	11.4	12.6	13.8
				LPM	110	130	150	170	190	210	230
TFR4/17/6	6	1.5	1.1	TOTAL HEAD IN METERS	30	28	25	22	18	14	11
TFR4/17/8	8	2.0	1.5		40	37	33	29	24	19	15
TFR4/17/10	10	3.0	2.2		50	46	41	36	30	24	19
TFR4/17/12	12	3.0	2.2		60	55	49	43	36	29	23
TFR4/17/16	16	4.0	3.0		80	74	66	58	48	38	30
TFR4/17/20	20	5.0	3.7		100	92	82	72	60	48	38

300 LPM

OUTLET SIZE : 65 MM 2900 RPM

PUMP MODEL	STAGE	MOTOR RATING		DISCHARGE							
		H.P	kW	M <sup>3</sup> /hr	9.0	12.0	15.0	18.0	21.0	24.0	27
				LPM	150	200	250	300	350	400	450
TFM4/30/5	5	2.0	1.5	TOTAL HEAD IN METERS	23	20	18	15	12	8	4
TFM4/30/7	7	3.0	2.2		32	28	25	21	16	11	6
TFM4/30/8	8	3.0	2.2		36	32	29	24	18	12	7
TFM4/30/9	9	3.0	2.2		41	36	32	27	21	14	8
TFM4/30/11	11	4.0	3.0		50	45	40	32	25	17	9
TFM4/30/13	13	5.0	3.7		59	53	47	38	30	20	11
TFM4/30/14	14	5.0	3.7		63	57	50	41	32	22	12

## V5 Submersible Pumpset

Teraflo brand makes highly efficient durable and best Quality V5 submersible pumpset with water filled submersible motors.



### SALIENT FEATURES

1. High efficient investment casting process diffusers are use with AISI 304 Material.
2. All the rotating parts are balance in precision grade to reduce vibration & noise..
3. All guide bushes are protected with sand guards.
4. Upper thrust provision provided in each model.
5. Pumps are provided with suction guide support.
6. Bearing sleeves are provided with hard chrome plating.
7. Carbon V/S Stainless steel thrust bearing are provided to withstand high thrust load.
8. Pumps are Design for maximum water discharge.
9. Winding wires are wrapped with superior polymer to withstand wide voltage fluctuation.
10. Rotors are painted with special epoxy paint for long life.

### APPLICATION

1. Irrigation/Sprinkler
2. Commodity water supply.
3. Industrial
4. High rise buildings
5. Sprinklers
6. Unshaped and crooked 6" borehole

### MATERIAL OF CONSTRUCTION

#### MOTOR

Motor Shaft	: Fully Stainless steel AISI 410.
Stamping	: Silicon steel.
Casting Part	: Cast Iron FG 200 grade.
Thrust Bearing	: Carbon v/s Stainless Steel.
Copper	: EC grade min 99.90%.

#### PUMP

Diffuser	: AISI 304 Investment Casting
Impeller	: Stainless Steel AISI 410
Suction Housing	: Cast Iron FG 200 grade.
Pump Shaft	: Fully Stainless Steel AISI 410
Sleeve	: AISI 410 with hard chrome plating.

### TECHNICAL SPECIFICATION

Head Range	: 24 to 268 meter
Discharge Range	: 60 to 420 LPM
Motor Rating	: 3.0 HP to 15.0 HP in three phase. - 380V /415V, 50Hz, AC Supply 3.0 HP to 5.0 HP in single phase. - 230V, 50Hz, AC Supply
Voltage Range	: 160V to 250V (1 Phase) 200V to 440V (3 Phase)



## V5 (125MM) (V6 SLIM) SUBMERSIBLE PUMPSETS

120 LPM

OUTLET SIZE : 50 MM 2900 RPM

PUMP MODEL	STAGE	MOTOR RATING		DISCHARGE							
		H.P	kW	M <sup>3</sup> /hr	3.6	4.8	6.0	7.2	8.4	9.6	10.8
				LPM	60	80	100	120	140	160	180
TFRS55/12/10	10	5.0	3.7	TOTAL HEAD IN METERS	107	102	95	87	78	66	52
TFRS55/12/12	12	6.0	4.5		128	122	114	104	94	79	62
TFRS55/12/15	15	7.5	5.5		161	153	143	131	117	99	78
TFRS55/12/20	20	10.0	7.5		214	204	190	174	156	132	104
TFRS55/12/25	25	12.5	9.3		268	255	238	218	195	165	130

140 LPM

OUTLET SIZE : 50 MM 2900 RPM

PUMP MODEL	STAGE	MOTOR RATING		DISCHARGE							
		H.P	kW	M <sup>3</sup> /hr	4.8	6.0	7.2	8.4	9.6	10.8	12.0
				LPM	80	100	120	140	160	180	200
TFRS56/14/8	8	5.0	3.7	TOTAL HEAD IN METERS	85	80	74	66	58	49	40
TFRS56/14/10	10	6.0	4.5		106	100	92	82	72	61	50
TFRS56/14/12	12	7.5	5.5		127	120	110	98	86	73	60
TFRS56/14/16	16	10.0	7.5		170	160	147	131	115	98	80
TFRS56/14/18	18	12.5	9.3		191	180	166	148	130	110	90
TFRS56/14/22	22	15.0	11		233	220	202	180	158	134	110
TFRS56/14/25	25	15.0	11		265	250	230	205	180	153	125

175 LPM

OUTLET SIZE : 50 MM 2900 RPM

PUMP MODEL	STAGE	MOTOR RATING		DISCHARGE							
		H.P	kW	M <sup>3</sup> /hr	6.0	7.5	9.0	10.5	12.0	13.5	15.0
				LPM	100	125	150	175	200	225	250
TFRS58/17/6	6	5.0	3.7	TOTAL HEAD IN METERS	66	63	59	53	48	42	36
TFRS58/17/8	8	6.0	4.5		88	84	78	71	64	56	48
TFRS58/17/10	10	7.5	5.5		110	105	98	89	80	70	60
TFRS58/17/12	12	10.0	7.5		132	126	118	107	96	84	72
TFRS58/17/15	15	12.5	9.3		165	158	147	134	120	105	90
TFRS58/17/18	18	15.0	11		198	189	176	160	144	126	108

230 LPM

OUTLET SIZE : 50 MM 2900 RPM

PUMP MODEL	STAGE	MOTOR RATING		DISCHARGE							
		H.P	kW	M <sup>3</sup> /hr	8.4	10.8	12.6	13.8	15.0	16.8	19.2
				LPM	140	180	210	230	250	280	320
TFRS510/23/5	5	5.0	3.7	TOTAL HEAD IN METERS	58	55	52	49	46	40	32
TFRS510/23/6	6	6.0	4.5		70	66	62	58	55	48	38
TFRS510/23/8	8	7.5	5.5		93	88	82	78	73	64	51
TFRS510/23/10	10	10.0	7.5		116	110	103	97	91	80	64
TFRS510/23/12	12	12.5	9.3		139	132	124	116	109	96	77
TFRS510/23/15	15	15.0	11		174	165	155	146	137	120	96

300 LPM

OUTLET SIZE : 50 MM / 65 MM 2900 RPM

PUMP MODEL	STAGE	MOTOR RATING		DISCHARGE							
		H.P	kW	M <sup>3</sup> /hr	10.8	13.2	15.6	18.0	20.4	22.8	25.2
				LPM	180	220	260	300	340	380	420
TFRS512/30/4	4	5.0	3.7	TOTAL HEAD IN METERS	46	43	40	36	32	28	24
TFRS512/30/5	5	6.0	4.5		57	54	50	46	41	36	30
TFRS512/30/6	6	7.5	5.5		68	65	60	55	49	43	36
TFRS512/30/8	8	10.0	7.5		91	86	80	73	65	57	48
TFRS512/30/10	10	12.5	9.3		114	108	100	91	81	71	60
TFRS512/30/12	12	15.0	11		137	130	120	109	97	85	72

## V6 (50 FT) Submersible Pumpset



Teraflo brand makes highly efficient durable and best Quality V6 (50 ft.) high head submersible pumpset with water filled submersible motors.

### SALIENT FEATURES

1. High efficient investment casting process diffusers are use with AISI 304 Material.
2. All the rotating parts are balance in precision grade to reduce vibration & noise.
3. All guide bushes are protected with sand guards.
4. Upper thrust provision provided in each model.
5. All pumps are provided with suction guide support.
6. All Bearing sleeves are provided with hard chrome plating.
7. Carbon V/S Stainless steel thrust bearing are provided to withstand high thrust load.
8. Pumps are Design for maximum water discharge.
9. Winding wires are wrapped with superior polymer to withstand wide voltage fluctuation.
10. Rotors are painted with special epoxy paint for long life.

### APPLICATION

1. Irrigation/Sprinkler
2. Commodity water supply
3. Industrial
4. High rise buildings
5. Sprinklers

### MATERIAL OF CONSTRUCTION

#### MOTOR

Motor Shaft	: Fully Stainless steel AISI 410.
Stamping	: Silicon steel.
Casting Part	: Cast Iron FG 200 grade.
Thrust Bearing	: Carbon v/s Stainless Steel.
Copper	: EC grade min 99.90%.

#### PUMP

Diffuser	: SS 304 Investment Casting
Pump Shaft	: Fully Stainless Steel AISI 410
Suction Housing	: Cast Iron FG 200 grade.
Impeller	: Stainless Steel AISI 410.
Sleeve	: AISI 410 with hard chrome plating.

### TECHNICAL SPECIFICATION

Head Range	: 10 to 450 meter
Discharge Range	: 40 to 780 LPM
Motor Rating	: 3.0 HP to 30 HP in three phase. - 380V / 415 V, 50 Hz, AC Supply 3.0 HP to 5.0 HP in single phase. - 230V, 50Hz. AC Supply
Voltage Range	: 160V to 250V (1 Phase) 200V to 440V (3 Phase)



## V6 (150MM) HIGH HEAD SUBMERSIBLE PUMPSETS

110 LPM

OUTLET SIZE :50 MM 2900 RPM

PUMP MODEL	STAGE	MOTOR RATING		DISCHARGE							
		H.P	kW	M <sup>3</sup> /hr	2.4	4.2	5.4	6.6	7.8	9.0	10.8
				LPM	40	70	90	110	130	150	180
TFRS65/11/6	6	3.0	2.2	TOTAL HEAD IN METERS	85	83	81	77	69	57	37
TFRS65/11/10	10	5.0	3.7		142	138	135	128	115	95	61
TFRS65/11/12	12	6.0	4.5		170	166	162	154	138	114	73
TFRS65/11/15	15	7.5	5.5		213	207	203	192	173	143	92
TFRS65/11/20	20	10.0	7.5		284	276	270	256	230	190	122
TFRS65/11/24	24	12.5	9.3		341	331	324	307	276	228	146
TFRS65/11/30	30	15.0	11		426	414	405	384	345	285	183

150 LPM

OUTLET SIZE : 50 MM 2900 RPM

PUMP MODEL	STAGE	MOTOR RATING		DISCHARGE							
		H.P	kW	M <sup>3</sup> /hr	4.5	6.0	7.5	9.0	10.5	12.0	13.5
				LPM	75	100	125	150	175	200	225
TFRS66/15/5	5	3.0	2.2	TOTAL HEAD IN METERS	75	72	67	60	53	45	37
TFRS66/15/8	8	5.0	3.7		120	115	106	96	84	72	59
TFRS66/15/10	10	6.0	4.5		150	144	133	120	105	90	74
TFRS66/15/12	12	7.5	5.5		180	173	160	144	126	108	89
TFRS66/15/16	16	10.0	7.5		240	230	213	192	168	144	118
TFRS66/15/20	20	12.5	9.3		300	288	266	240	210	180	148
TFRS66/15/24	24	15.0	11.0		360	346	319	288	252	216	178

200 LPM

OUTLET SIZE : 50 MM 2900 RPM

PUMP MODEL	STAGE	MOTOR RATING		DISCHARGE							
		H.P	kW	M <sup>3</sup> /hr	6.6	9.6	10.8	12.0	13.2	14.4	17.4
				LPM	110	160	180	200	220	240	290
TFRS68/20/4	4	3.0	2.2	TOTAL HEAD IN METERS	60	56	52	48	44	39	24
TFRS68/20/6	6	5.0	3.7		90	83	79	73	66	59	37
TFRS68/20/8	8	6.0	4.5		120	111	105	97	88	78	49
TFRS68/20/10	10	7.5	5.5		150	139	131	121	110	98	61
TFRS68/20/12	12	10.0	7.5		180	167	157	145	132	118	73
TFRS68/20/15	15	12.5	9.3		225	209	197	182	165	147	92
TFRS68/20/18	18	15.0	11.0		270	250	236	218	198	176	110
TFRS68/20/21	21	17.5	13.0		315	292	275	254	231	206	128
TFRS68/20/24	24	20.0	15.0		360	334	314	290	264	235	146

## V6 (150MM) HIGH HEAD SUBMERSIBLE PUMPSETS

250 LPM

OUTLET SIZE : 65MM 2900 RPM

PUMP MODEL	STAGE	MOTOR RATING		DISCHARGE							
		H.P	kW	M <sup>3</sup> /hr	6.0	9.0	12.0	15.0	18.0	21.0	24.0
				LPM	100	150	200	250	300	350	400
TFRS610/25/3	3	3.0	2.2	TOTAL HEAD IN METERS	45	44	41	36	30	23	15
TFRS610/25/5	5	5.0	3.7		75	73	68	60	50	39	25
TFRS610/25/6	6	6.0	4.5		90	87	81	72	60	46	30
TFRS610/25/8	8	7.5	5.5		120	116	108	96	80	62	40
TFRS610/25/10	10	10.0	7.5		150	145	135	120	100	77	50
TFRS610/25/12	12	12.5	9.3		180	174	162	144	120	92	60
TFRS610/25/15	15	15.0	11.0		225	218	203	180	150	116	75
TFRS610/25/18	18	17.5	13.0		270	261	243	216	180	139	90
TFRS610/25/20	20	20.0	15.0		300	290	270	240	200	154	100
TFRS610/25/25	25	25.0	18.5		375	363	338	300	250	193	125
TFRS610/25/30	30	30.0	22.0		450	435	405	360	300	231	150

340 LPM

OUTLET SIZE : 65 MM 2900 RPM

PUMP MODEL	STAGE	MOTOR RATING		DISCHARGE							
		H.P	kW	M <sup>3</sup> /hr	12.0	15.6	18.0	20.4	22.8	25.2	28.8
				LPM	200	260	300	340	380	420	480
TFRS612/34/4	4	5.0	3.7	TOTAL HEAD IN METERS	59	56	53	49	44	38	28
TFRS612/34/5	5	6.0	4.5		74	70	67	61	55	48	35
TFRS612/34/6	6	7.5	5.5		88	84	80	73	66	57	42
TFRS612/34/8	8	10.0	7.5		118	112	106	98	88	76	56
TFRS612/34/10	10	12.5	9.3		147	140	133	122	110	95	70
TFRS612/34/12	12	15.0	11.0		176	168	160	146	132	114	84
TFRS612/34/14	14	17.5	13.0		206	196	186	171	154	133	98
TFRS612/34/16	16	20.0	15.0		235	224	213	195	176	152	112
TFRS612/34/20	20	25.0	18.5		294	280	266	244	220	190	140
TFRS612/34/24	24	30.0	22.0		353	336	319	293	264	228	168



## V6 (150MM) HIGH HEAD SUBMERSIBLE PUMPSETS

410 LPM

OUTLET SIZE : 65 MM 2900 RPM

PUMP MODEL	STAGE	MOTOR RATING		DISCHARGE							
		H.P	kW	M <sup>3</sup> /hr	14.4	19.2	22.2	24.6	27.0	30.0	34.8
				LPM	240	320	370	410	450	500	580
TFRS615/41/2	2	3.0	2.2	TOTAL HEAD IN METERS	30	28	26	24	21	17	10
TFRS615/41/3	3	5.0	3.7		45	42	39	35	32	26	15
TFRS615/41/4	4	6.0	4.5		60	56	52	47	42	34	20
TFRS615/41/5	5	7.5	5.5		75	70	65	59	53	43	25
TFRS615/41/7	7	10.0	7.5		105	98	90	83	74	60	35
TFRS615/41/8	8	12.5	9.3		120	112	103	94	84	68	40
TFRS615/41/10	10	15.0	11.0		150	140	129	118	105	85	50
TFRS615/41/12	12	17.5	13.0		180	168	155	142	126	102	60
TFRS615/41/13	13	20.0	15.0		195	182	168	153	137	111	65
TFRS615/41/17	17	25.0	18.5		255	238	219	201	179	145	85
TFRS615/41/20	20	30.0	22.0	300	280	258	236	210	170	100	

500 LPM

OUTLET SIZE : 65 MM 2900 RPM

PUMP MODEL	STAGE	MOTOR RATING		DISCHARGE							
		H.P	kW	M <sup>3</sup> /hr	13.8	19.8	24.0	30.0	36.0	40.2	46.2
				LPM	230	330	400	500	600	670	770
TFRS620/50/3	3	6.0	4.5	TOTAL HEAD IN METERS	44	42	39	34	28	23	15
TFRS620/50/4	4	7.5	5.5		59	56	52	46	37	31	20
TFRS620/50/5	5	10.0	7.5		74	70	65	57	47	39	25
TFRS620/50/6	6	12.5	9.3		89	83	78	68	56	46	29
TFRS620/50/8	8	15.0	11.0		118	111	104	91	74	62	39
TFRS620/50/9	9	17.5	13.0		133	125	117	103	84	69	44
TFRS620/50/10	10	20.0	15.0		148	139	130	114	93	77	49
TFRS620/50/12	12	25.0	18.5		178	167	156	137	112	92	59
TFRS620/50/15	15	30.0	22.0		222	209	195	171	140	116	74

550 LPM

OUTLET SIZE : 65 MM 2900 RPM

PUMP MODEL	STAGE	MOTOR RATING		DISCHARGE							
		H.P	kW	M <sup>3</sup> /hr	19.2	22.8	27.6	33.0	38.4	43.2	46.8
				LPM	320	380	460	550	640	720	780
TFRS625/55/3	3	7.5	5.5	TOTAL HEAD IN METERS	46	44	41	36	29	22	15
TFRS625/55/4	4	10.0	7.5		61	59	55	48	39	29	20
TFRS625/55/5	5	12.5	9.3		76	74	69	60	49	36	25
TFRS625/55/6	6	15.0	11.0		91	89	83	72	58	43	30
TFRS625/55/8	8	20.0	15.0		122	118	110	96	78	58	40
TFRS625/55/9	9	25.0	18.5		137	133	124	108	87	65	45
TFRS625/55/10	10	25.0	18.5		152	148	138	120	97	72	50
TFRS625/55/12	12	30.0	22.0		182	178	166	144	116	86	60

## V6 (Radial /Mix flow) Submersible Pumpset



Teraflo brand makes highly efficient durable and best Quality V6 submersible pumpset with water filled submersible motors.

### SALIENT FEATHERS

1. Robust construction to ensure durability of pumpset.
2. Winding wires are wrapped with superior polymer to withstand wide voltage fluctuation.
3. All the rotating parts are dynamically balance to reduce vibration & noise.
4. Carbon Bearing v/s Stainless Steel Segments are used to withstand high thrust load.
5. All guide bushes are protected with sand guards.
6. Bearing sleeves are provided with hardchrome plating for better life in sandy conditions.
7. Rotors are painted with special epoxy paint for long life.
8. NRV are provided for reduce back pressure.
9. Motors are also available in single phase and three phase design.
10. Motor design for wide voltage range.

### APPLICATION

1. Sprinkler & drip Irrigation system.
2. Irrigation in farms.
3. Domestic & Industrial water supply.
4. Fire Fighting system.
5. Solar pumping system.

### MATERIAL OF CONSTRUCTION

#### MOTOR

Motor Shaft	: Fully Stainless steel AISI 410.
Stamping	: Silicon steel.
Casting Part	: Cast Iron FG 200 grade.
Thrust Bearing	: Carbon v/s Stainless Steel.
Copper	: EC grade min 99.90%.

#### PUMP

Pump Shaft	: Fully Stainless Steel AISI 410
Suction Housing	: Cast Iron FG 200 grade.
Impeller	: Stainless Steel AISI 410/
Diffuser	: Cast Iron FG 200 grade.
Sleeve	: AISI 410 with hard chrome plating.

### TECHNICAL SPECIFICATION

Head Range	: A) Radial flow-13 to 245 meter B) Mix Flow- 9 to 216 meters
Discharge Range	: A) Radial flow- 120 to 450 LPM B) Mix Flow-200 to 1150 LPM
Motor Rating	: 3.0 HP to 30 HP in three phase, 380V / 415 V, 50Hz, AC Supply 3.0 HP to 5.0 HP in single phase, 230V / 50Hz AC Supply
Voltage Range	: 160V to 250V (1 Phase) 200V to 440V (3 Phase)



## RADIAL FLOW

## V6 (150MM) SUBMERSIBLE PUMPSETS

200 LPM

OUTLET SIZE : 50 MM 2900 RPM

PUMP MODEL	STAGE	MOTOR RATING		DISCHARGE							
		H.P	kW	M <sup>3</sup> /hr	7.2	9.0	10.2	12.0	13.2	15.0	16.8
				LPM	120	150	170	200	220	250	280
TFRC65/20/4	4	3.0	2.2	TOTAL HEAD IN METERS	38	36	35	31	28	23	17
TFRC65/20/6	6	3.0	2.2		57	55	52	47	42	34	25
TFRC65/20/7	7	4.0	3.0		67	64	61	55	49	40	29
TFRC65/20/8	8	5.0	3.7		76	73	70	62	56	46	34
TFRC65/20/10	10	5.0	3.7		95	91	87	78	70	57	42
TFRC65/20/12	12	6.0	4.5		114	109	104	94	84	68	50
TFRC65/20/14	14	7.5	5.5		133	127	122	109	98	80	59
TFRC65/20/15	15	7.5	5.5		143	137	131	117	105	86	63
TFRC65/20/18	18	10.0	7.5		171	164	157	140	126	103	76
TFRC65/20/20	20	10.0	7.5		190	182	174	156	140	114	84
TFRC65/20/25	25	12.5	9.3		238	228	218	195	175	143	105

230 LPM

OUTLET SIZE : 50 MM 2900 RPM

PUMP MODEL	STAGE	MOTOR RATING		DISCHARGE							
		H.P	kW	M <sup>3</sup> /hr	7.8	10.2	12.0	13.8	15.6	17.4	19.8
				LPM	130	170	200	230	260	290	330
TFRC66/23/4	4	3.0	2.2	TOTAL HEAD IN METERS	39	38	36	33	29	24	17
TFRC66/23/5	5	3.0	2.2		49	47	45	41	37	31	21
TFRC66/23/6	6	4.0	3.0		59	56	53	49	44	37	25
TFRC66/23/8	8	5.0	3.7		78	75	71	66	58	49	34
TFRC66/23/10	10	6.0	4.5		98	94	89	82	73	61	42
TFRC66/23/12	12	7.5	5.5		118	113	107	98	88	73	50
TFRC66/23/15	15	10.0	7.5		147	141	134	123	110	92	63
TFRC66/23/16	16	10.0	7.5		157	150	142	131	117	98	67
TFRC66/23/18	18	12.5	9.3		176	169	160	148	131	110	76
TFRC66/23/20	20	12.5	9.3		196	188	178	164	146	122	84
TFRC66/23/25	25	15.0	11.0		245	235	223	205	183	153	105

250 LPM

OUTLET SIZE : 50 MM 2900 RPM

PUMP MODEL	STAGE	MOTOR RATING		DISCHARGE							
		H.P	kW	M <sup>3</sup> /hr	9.0	11.4	13.2	15.0	16.8	18.6	21.0
				LPM	150	190	220	250	280	310	350
TFRC67/25/4	4	3.0	2.2	TOTAL HEAD IN METERS	42	40	37	34	31	27	21
TFRC67/25/5	5	4.0	3.0		52	50	47	43	38	34	26
TFRC67/25/6	6	5.0	3.7		62	59	56	51	46	40	31
TFRC67/25/7	7	5.0	3.7		73	69	65	60	54	47	36
TFRC67/25/8	8	6.0	4.5		83	79	74	68	61	54	42
TFRC67/25/10	10	7.5	5.5		104	99	93	85	77	67	52
TFRC67/25/12	12	10.0	7.5		125	119	112	102	92	80	62
TFRC67/25/14	14	10.0	7.5		146	139	130	119	107	94	73
TFRC67/25/16	16	12.5	9.3		166	158	149	136	122	107	83
TFRC67/25/17	17	12.5	9.3		177	168	158	145	130	114	88
TFRC67/25/20	20	15.0	11.0		208	198	186	170	153	134	104
TFRC67/25/21	21	15.0	11.0	218	208	195	179	161	141	109	

## V6 (150MM) SUBMERSIBLE PUMPSETS - RADIAL

330 LPM

OUTLET SIZE : 50 MM 2900 RPM

PUMP MODEL	STAGE	MOTOR RATING		DISCHARGE							
		H.P	kW	M <sup>3</sup> /hr	12.6	15.6	18.0	19.8	21.6	24.0	27.0
				LPM	210	260	300	330	360	400	450
TFRC610/33/3	3	3.0	2.2	TOTAL HEAD IN METERS	31	30	28	26	24	19	13
TFRC610/33/4	4	4.0	3.0		41	40	38	35	32	26	17
TFRC610/33/5	5	5.0	3.7		52	50	47	44	40	32	22
TFRC610/33/6	6	6.0	4.5		62	59	56	53	47	38	26
TFRC610/33/7	7	7.5	5.5		72	69	66	61	55	45	30
TFRC610/33/8	8	7.5	5.5		82	79	75	70	63	51	34
TFRC610/33/10	10	10.0	7.5		103	99	94	88	79	64	43
TFRC610/33/12	12	12.5	9.3		124	119	113	105	95	77	52
TFRC610/33/14	14	15.0	11.0		144	139	132	123	111	90	60
TFRC610/33/15	15	15.0	11.0		155	149	141	131	119	96	65
TFRC610/33/16	16	17.5	13.0		165	158	150	140	126	102	69
TFRC610/33/17	17	17.5	13.0		175	168	160	149	134	109	73
TFRC610/33/18	18	20.0	15.0		185	178	169	158	142	115	77
TFRC610/33/20	20	20.0	15.0	206	198	188	175	158	128	86	

## MIX FLOW

## V6 (150MM) SUBMERSIBLE PUMPSETS

400 LPM

OUTLET SIZE : 65 MM 2900 RPM

PUMP MODEL	STAGE	MOTOR RATING		DISCHARGE							
		H.P	kW	M <sup>3</sup> /hr	12.0	18.0	21.0	24.0	27.0	30.0	36.0
				LPM	200	300	350	400	450	500	600
TFMC610/40/3	3	3.0	2.2	TOTAL HEAD IN METERS	28	26	24	23	21	19	14
TFMC610/40/4	4	4.0	3.0		37	34	32	30	28	25	19
TFMC610/40/5	5	5.0	3.7		46	43	40	38	35	31	24
TFMC610/40/6	6	6.0	4.5		56	51	48	45	41	38	29
TFMC610/40/8	8	7.5	5.5		74	68	64	60	55	50	38
TFMC610/40/10	10	10.0	7.5		93	85	80	75	69	63	48
TFMC610/40/12	12	12.5	9.3		111	102	96	90	83	75	57
TFMC610/40/15	15	15.0	11.0		139	128	120	113	104	94	71
TFMC610/40/17	17	17.5	13.0		157	145	136	128	117	106	81
TFMC610/40/20	20	20.0	15.0		185	170	160	150	138	125	95

450 LPM

OUTLET SIZE : 65 MM 2900 RPM

PUMP MODEL	STAGE	MOTOR RATING		DISCHARGE							
		H.P	kW	M <sup>3</sup> /hr	15.0	21.0	24.0	27.0	30.0	33.0	39.0
				LPM	250	350	400	450	500	550	650
TFMC612/45/3	3	4.0	3.0	TOTAL HEAD IN METERS	32	30	29	27	25	23	17
TFMC612/45/4	4	5.0	3.7		43	40	38	36	33	30	23
TFMC612/45/5	5	6.0	4.5		54	50	48	45	42	38	29
TFMC612/45/6	6	7.5	5.5		65	60	57	53	50	46	35
TFMC612/45/8	8	10.0	7.5		86	80	76	71	66	61	46
TFMC612/45/10	10	12.5	9.3		108	100	95	89	83	76	58
TFMC612/45/12	12	15.0	11.0		130	120	114	107	100	91	70
TFMC612/45/14	14	17.5	13.0		151	140	133	125	116	106	81
TFMC612/45/16	16	20.0	15.0		173	160	152	142	133	122	93
TFMC612/45/18	18	25.0	18.5		194	180	171	160	149	137	104
TFMC612/45/20	20	25.0	18.5		216	200	190	178	166	152	116



## V6 (150MM) SUBMERSIBLE PUMPSETS

550 LPM

OUTLET SIZE : 75 MM 2900 RPM

PUMP MODEL	STAGE	MOTOR RATING		DISCHARGE							
		H.P	kW	M <sup>3</sup> /hr	21.0	27.0	30.0	33.0	36.0	39.0	45.0
				LPM	350	450	500	550	600	650	750
TFMC615/55/3	3	5.0	3.7	TOTAL HEAD IN METERS	30	28	27	25	23	21	15
TFMC615/55/4	4	6.0	4.5		40	38	36	34	31	29	20
TFMC615/55/5	5	7.5	5.5		51	47	45	42	39	36	25
TFMC615/55/6	6	10.0	7.5		61	56	54	50	47	43	30
TFMC615/55/8	8	12.5	9.3		81	75	72	67	62	57	40
TFMC615/55/10	10	15.0	11.0		101	94	90	84	78	72	50
TFMC615/55/12	12	17.5	13.0		121	113	107	101	94	86	60
TFMC615/55/14	14	20.0	15.0		141	132	125	118	109	100	70
TFMC615/55/16	16	25.0	18.5		162	150	143	134	125	114	80

750 LPM

OUTLET SIZE : 75 MM 2900 RPM

PUMP MODEL	STAGE	MOTOR RATING		DISCHARGE							
		H.P	kW	M <sup>3</sup> /hr	30.0	36.0	42.0	45.0	48.0	54.0	60.0
				LPM	500	600	700	750	800	900	1000
TFMC620/75/3	3	6.0	4.5	TOTAL HEAD IN METERS	29	27	25	23	22	18	13
TFMC620/75/4	4	7.5	5.5		39	36	33	31	29	24	17
TFMC620/75/5	5	10.0	7.5		49	46	41	39	36	30	22
TFMC620/75/6	6	12.5	9.3		59	55	50	47	43	35	26
TFMC620/75/7	7	15.0	11.0		69	64	58	54	50	41	30
TFMC620/75/8	8	15.0	11.0		78	73	66	62	58	47	34
TFMC620/75/9	9	17.5	13.0		88	82	74	70	65	53	39
TFMC620/75/10	10	20.0	15.0		98	91	83	78	72	59	43
TFMC620/75/12	12	25.0	18.5		118	109	99	93	86	71	52

900 LPM

OUTLET SIZE : 75 MM 2900 RPM

PUMP MODEL	STAGE	MOTOR RATING		DISCHARGE							
		H.P	kW	M <sup>3</sup> /hr	39.0	45.0	51.0	54.0	57.0	63.0	69.0
				LPM	650	750	850	900	950	1050	1150
TFMC625/90/2	2	5.0	3.7	TOTAL HEAD IN METERS	20	18	17	16	14	12	9
TFMC625/90/3	3	7.5	5.5		29	27	25	23	22	18	13
TFMC625/90/4	4	10.0	7.5		39	36	33	31	29	24	17
TFMC625/90/5	5	12.5	9.3		49	46	41	39	36	30	22
TFMC625/90/6	6	15.0	11.0		59	55	50	47	43	35	26
TFMC625/90/7	7	17.5	13.0		69	64	58	54	50	41	30
TFMC625/90/8	8	20.0	15.0		78	73	66	62	58	47	34
TFMC625/90/10	10	25.0	18.5		98	91	83	78	72	59	43

## V7 (Janta Model) Submersible Pumpset



Teraflo brand makes highly efficient durable and best Quality V7 submersible pumpset with water filled submersible motors.

### SALIENT FEATURES

1. Motor design for wide voltage range.
2. All the rotating parts are balance in precision grade to reduce vibration & noise..
3. Pumps are Design for maximum water discharge.
4. Rotor are painted with special epoxy paint for long life.
5. Pumps are provided with suction guide support.
6. All Bearing sleeves are provided with hard chrome plating.
7. Carbon V/S Stainless steel thrust bearing are provided to withstand high thrust load.
8. Top and suction guide bushes are well protected by sand guards.
9. Winding wires are wrapped with superior polymer to withstand wide voltage fluctuation .
10. Upper thrust provision provided in each model.

### APPLICATION

1. High rise buildings
2. Commodity water supply.
- 3 .Hotels, Dairies and bungalows.
4. Irrigation/Sprinkler

### MATERIAL OF CONSTRUCTION

#### MOTOR

Copper	: EC grade min 99.90%.
Stamping	: Silicon steel.
Casting Part	: Cast Iron FG 200 grade.
Thrust Bearing	: Carbon v/s Stainless Steel.
Motor Shaft	: Fully Stainless steel AISI 410.

#### PUMP

Pump Shaft	: Fully Stainless Steel AISI 410
Suction Housing	: Cast Iron FG 200 grade.
Impeller	: Stainless Steel AISI 410/ Glass filled engineering polymer.
Diffuser	: Cast Iron FG 200 grade.
Sleeve	: AISI 410 with hard chrome plating.

### TECHNICAL SPECIFICATION

Head Range	: 9 to 120 meter
Discharge Range	: 600 to 1700 LPM
Motor Rating	: 3.0 HP to 25 HP in three phase 380V / 415 V, 50Hz, AC Supply 3.0 HP to 5.0 HP in single phase 230V / 50Hz AC Supply
Voltage Range	: 160V to 250V (1 Phase) 200V to 440V (3 Phase)



## V7 (175mm) SUBMERSIBLE PUMPSETS

1000 LPM

OUTLET SIZE : 100 MM 2900 RPM

PUMP MODEL	STAGE	MOTOR RATING		DISCHARGE							
		H.P	kW	M <sup>3</sup> /hr	36.0	48.0	54.0	60.0	66.0	72.0	84.0
				LPM	600	800	900	1000	1100	1200	1400
TFMC725/100/2	2	5.0	3.7	TOTAL HEAD IN METERS	24	21	19	17	15	13	9
TFMC725/100/3	3	7.5	5.5		36	32	29	26	23	20	14
TFMC725/100/4	4	10.0	7.5		48	42	39	35	31	27	19
TFMC725/100/5	5	12.5	9.3		60	53	49	44	39	34	24
TFMC725/100/6	6	15.0	11.0		72	64	58	52	46	40	28
TFMC725/100/7	7	17.5	13.0		84	74	68	61	54	47	33
TFMC725/100/8	8	20.0	15.0		96	85	78	70	62	54	38
TFMC725/100/9	9	25.0	18.5		108	95	87	78	69	60	42
TFMC725/100/10	10	25.0	18.5		120	106	97	87	77	67	47

1100 LPM

OUTLET SIZE : 100 MM 2900 RPM

PUMP MODEL	STAGE	MOTOR RATING		DISCHARGE							
		H.P	kW	M <sup>3</sup> /hr	42.0	54.0	60.0	66.0	72.0	78.0	90.0
				LPM	700	900	1000	1100	1200	1300	1500
TFMC73/110/2	2	6.0	4.5	TOTAL HEAD IN METERS	25	23	21	20	18	16	11
TFMC73/110/3	3	10.0	7.5		38	35	32	30	27	24	17
TFMC73/110/4	4	12.5	9.3		51	46	43	40	36	32	23
TFMC73/110/5	5	15.0	11.0		64	58	54	50	45	40	29
TFMC73/110/6	6	20.0	15.0		76	69	64	59	54	48	34
TFMC73/110/7	7	25.0	18.5		89	81	75	69	63	56	40
TFMC73/110/8	8	25.0	18.5		102	92	86	79	72	64	46

1200 LPM

OUTLET SIZE : 100 MM 2900 RPM

PUMP MODEL	STAGE	MOTOR RATING		DISCHARGE							
		H.P	kW	M <sup>3</sup> /hr	48.0	60.0	66.0	72.0	78.0	84.0	96.0
				LPM	800	1000	1100	1200	1300	1400	1600
TFMC74/120/2	2	7.5	5.5	TOTAL HEAD IN METERS	28	26	25	23	21	19	15
TFMC74/120/3	3	12.5	9.3		41	39	37	35	32	29	22
TFMC74/120/4	4	15.0	11.0		55	52	49	46	43	39	30
TFMC74/120/5	5	20.0	15.0		69	65	62	58	54	49	37
TFMC74/120/6	6	25.0	18.5		83	77	74	70	64	58	44

1300 LPM

OUTLET SIZE : 100 MM 2900 RPM

PUMP MODEL	STAGE	MOTOR RATING		DISCHARGE							
		H.P	kW	M <sup>3</sup> /hr	54.0	66.0	72.0	78.0	84.0	90.0	102.0
				LPM	900	1100	1200	1300	1400	1500	1700
TFMC75/130/2	2	10.0	7.5	TOTAL HEAD IN METERS	30	28	27	25	23	21	17
TFMC75/130/3	3	15.0	11.0		44	42	40	38	35	32	26
TFMC75/130/4	4	20.0	15.0		59	56	53	50	46	43	35
TFMC75/130/5	5	25.0	18.5		74	70	67	63	58	54	44

## V8 (Janta Model) Submersible Pumpset



Teraflo brand makes highly efficient durable and best Quality V8 submersible pumpset with water filled submersible motors.

### SALIENT FEATURES

1. All pumps are provided with suction guide support.
2. All the rotating parts are balance in precision grade to reduce vibration & noise..
3. All Bearing sleeves are provided with hard chrome plating.
4. Winding wires are wrapped with superior polymer to withstand wide voltage fluctuation.
5. Motor design for wide voltage range.
6. All guide bushes are protected with sand guards.
7. Carbon V/S Stainless steel thrust bearing are provided to withstand high thrust load.
8. Pumps are Design for maximum water discharge.
9. Upper thrust provision provided in each model.
10. Rotor are painted with special epoxy paint for long life.

### APPLICATION

1. Commodity water supply.
2. Irrigation/Sprinkler
3. Industrial
4. High rise buildings

### MATERIAL OF CONSTRUCTION

#### MOTOR

Casting Part	: Cast Iron FG 200 grade.
Stamping	: Silicon steel.
Motor Shaft	: Fully Stainless steel AISI 410.
Thrust Bearing	: Carbon v/s Stainless Steel.
Copper	: EC grade min 99.90%.

#### PUMP

Impeller	: Stainless Steel AISI 410
Diffuser	: Cast Iron FG 200 grade.
Suction Housing	: Cast Iron FG 200 grade.
Pump Shaft	: Fully Stainless Steel AISI 410
Sleeve	: AISI 410 with hard chrome plating.

### TECHNICAL SPECIFICATION

Head Range	: 10 to 112 meters
Discharge Range	: 600 to 2200 LPM
Motor Rating	: 3.0 HP to 25 HP in three phase 380V / 415 V, 50Hz, AC Supply 3.0 HP to 5.0 HP in single phase 230V / 50Hz AC Supply
Voltage Range	: 160V to 250V (1 Phase) 200V to 440V (3 Phase)



## V8 (200MM) SUBMERSIBLE PUMPSETS

1100 LPM

OUTLET SIZE : 100 MM 2900 RPM

PUMP MODEL	STAGE	MOTOR RATING		DISCHARGE								
		H.P	kW	M <sup>3</sup> /hr	36.0	48.0	54.0	66.0	78.0	84.0	96.0	
TFMC83/110/2	2	6.0	4.5	LPM	600	800	900	1100	1300	1400	1600	TOTAL HEAD IN METERS
TFMC83/110/3	3	10.0	7.5		28	25	24	20	16	14	10	
TFMC83/110/4	4	12.5	9.3		42	38	36	30	24	21	15	
TFMC83/110/5	5	15.0	11.0		56	51	48	40	32	28	20	
TFMC83/110/6	6	20.0	15.0		70	64	60	51	41	36	25	
TFMC83/110/7	7	25.0	18.5		84	76	71	61	49	43	29	
TFMC83/110/8	8	25.0	18.5		98	89	83	71	57	50	34	
					112	102	95	81	65	57	39	

1200 LPM

OUTLET SIZE : 100 MM 2900 RPM

PUMP MODEL	STAGE	MOTOR RATING		DISCHARGE								
		H.P	kW	M <sup>3</sup> /hr	42.0	54.0	60.0	72.0	84.0	90.0	102.0	
TFMC84/120/2	2	7.5	5.5	LPM	700	900	1000	1200	1400	1500	1700	TOTAL HEAD IN METERS
TFMC84/120/3	3	12.5	9.3		32	30	29	25	21	19	14	
TFMC84/120/4	4	15.0	11.0		48	45	43	38	31	28	21	
TFMC84/120/5	5	20.0	15.0		64	60	57	50	42	37	28	
TFMC84/120/6	6	25.0	18.5		80	75	72	63	52	47	36	
					96	90	86	75	62	56	43	

1300 LPM

OUTLET SIZE : 100 MM 2900 RPM

PUMP MODEL	STAGE	MOTOR RATING		DISCHARGE								
		H.P	kW	M <sup>3</sup> /hr	48.0	60.0	66.0	78.0	90.0	96.0	108.0	
TFMC85/130/2	2	10.0	7.5	LPM	800	1000	1100	1300	1500	1600	1800	TOTAL HEAD IN METERS
TFMC85/130/3	3	15.0	11.0		35	33	32	28	24	22	17	
TFMC85/130/4	4	20.0	15.0		53	49	47	42	36	33	26	
TFMC85/130/5	5	25.0	18.5		70	66	63	56	48	44	34	
					88	82	79	71	60	55	43	

1400 LPM

OUTLET SIZE : 100 MM 2900 RPM

PUMP MODEL	STAGE	MOTOR RATING		DISCHARGE								
		H.P	kW	M <sup>3</sup> /hr	54.0	66.0	72.0	84.0	96.0	102.0	114.0	
TFMC86/140/2	2	12.5	9.3	LPM	900	1100	1200	1400	1600	1700	1900	TOTAL HEAD IN METERS
TFMC86/140/3	3	17.5	13.0		37	35	34	31	27	24	19	
TFMC86/140/4	4	25.0	18.5		55	52	50	46	40	37	29	
					74	70	67	62	54	49	38	

1500 LPM

OUTLET SIZE : 100 MM 2900 RPM

PUMP MODEL	STAGE	MOTOR RATING		DISCHARGE								
		H.P	kW	M <sup>3</sup> /hr	60.0	72.0	78.0	90.0	102.0	108.0	120.0	
TFMC87/150/2	2	15.0	11.0	LPM	1000	1200	1300	1500	1700	1800	2000	TOTAL HEAD IN METERS
TFMC87/150/3	3	20.0	15.0		40	38	36	33	28	26	20	
					59	57	55	49	42	39	31	

1600 LPM

OUTLET SIZE : 100 MM 2900 RPM

PUMP MODEL	STAGE	MOTOR RATING		DISCHARGE								
		H.P	kW	M <sup>3</sup> /hr	66.0	78.0	84.0	96.0	108.0	114.0	126.0	
TFMC88/160/2	2	17.5	13.0	LPM	1100	1300	1400	1600	1800	1900	2100	TOTAL HEAD IN METERS
TFMC88/160/3	3	25.0	18.5		41	39	38	35	31	29	23	
					61	59	57	52	46	43	35	

1700 LPM

OUTLET SIZE : 100 MM 2900 RPM

PUMP MODEL	STAGE	MOTOR RATING		DISCHARGE								
		H.P	kW	M <sup>3</sup> /hr	72.0	84.0	90.0	102.0	114.0	120.0	132.0	
TFMC810/170/1	1	10.0	7.5	LPM	1200	1400	1500	1700	1900	2000	2200	TOTAL HEAD IN METERS
TFMC810/170/2	2	20.0	15.0		23	22	21	19	17	16	13	
					43	44	42	39	35	32	27	

## Openwell Submersible Pumps:-

“Teraflo” brand make highly efficient durable and best Quality openwell submersible pump.



### SALIENT FEATURES

1. Design for wide voltage range.
2. Manufactured using a much sophisticated control process to ensure reliability & Long life of the pump.
3. Design for underwater Application.
4. Light weight & easy to install.
5. Impeller made from glass filled engineer polymer for better life.
6. Full Stainless steel stator tube as well as stainless steel shaft.
7. Supply with control panel.

### MATERIAL OF CONSTRUCTION

Stator Tube	: Stainless Steel / Cast Iron FG 200 Grade.
Thrust Bearing	: Carbon
Impeller	: Glass Filled engineering polymer/Cast iron FG 200
Pump Volute	: Cast Iron FG 200 Grade.

### APPLICATION

1. Domestic water supply-Apartment, Building & Hotel
2. Fountains.
3. Canals & Rivers
4. Irrigation from openwell where water level fluctuate.

### TECHNICAL SPECIFICATION

Head Range	: 6 to 68 Meter.
Discharge Range	: 50 to 2344 LPM
Motor Rating	: 0.5HP to 5HP (Single Phase) 0.5HP to 20 HP (Three Phase)
Voltage Range	: 140V to 250V (1 Phase) 200V to 440V (3 Phase)





## Control Panel

“Teraflo” brand high Quality Control panel for submersible pumpset.



### SALIENT FEATURES

1. Overload protection through Circuit Breaker.
2. Easy to install.
3. Start Capacitor for torque induction by split phasing.
4. Run capacitor for improving P.F. and lower down the current intake.
5. Also Available Dry Run Protection(optional).

### TECHNICAL SPECIFICATION

1. For Single Phase : Up to 5.0 HP
2. For Three Phase : Up to 20 HP



## Cable Selection Table

VOLTS	MOTOR RATING		CABLE SIZE SQUARE MILLIMETERS											MAXIMUM LENGTH IN METRES
	KW	HP	1.5	2.5	4	6	10	16	25	35	50	70	95	
380/415 VOLT 50 Hz	0.75	1	380	630	1020	1525	2595	4032	6111	8366				
	1.1	1.5	300	500	810	1210	2060	3200	4850	6640	9220			
	1.5	2	220	370	590	880	1500	2340	3560	4890	6830	9230		
	2.2	3	150	250	400	600	1030	1600	2440	3350	4680	6340	7990	
	3	4	110	190	310	460	790	1230	1880	2590	3630	4930	6230	
	3.7	5	90	150	240	370	630	980	1490	2050	2870	3900	4920	
	4	5.5	80	140	230	340	590	920	1390	1910	2670	3600	4520	
	4.5	6	70	130	220	320	550	860	1310	1790	2510	3390	4260	
	5.5	7.5	60	110	170	260	440	690	1060	1450	2030	2750	3460	
	7.5	10	50	90	130	200	340	530	810	1110	1560	2120	2680	
	9.3	12.5		80	100	160	280	440	670	920	1310	1780	2250	
	11	15		70	90	130	230	360	550	750	1060	1440	1820	
	13	17.5			80	110	200	310	480	650	920	1250	1580	
	15	20			70	100	170	270	410	570	800	1080	1370	
	18.5	25				80	140	210	330	450	630	860	1090	
	22	30				70	120	180	280	380	540	740	930	
	26	35					100	150	230	310	440	610	770	870
	30	40					90	130	210	280	400	540	680	780
37	50						110	170	230	320	440	550	700	
45	60							140	190	260	360	460	560	
56	75								160	220	290	380	340	
75	100									160	220	280	340	
93	125										170	220	260	

VOLTS	MOTOR RATING		CABLE SIZE SQUARE MILLIMETERS										MAXIMUM LENGTH IN METRES
	KW	HP	1.5	2.5	4	6	10	16	25	35	50	70	
220/240 VOLT 50 Hz(±3%)	0.37	0.5	120	200	320	480	810	1260	1900	2590	3580	4770	5920
	0.55	0.75	80	130	250	320	550	850	1290	1760	2430	3230	4000
	0.75	1	60	100	170	250	430	670	1010	1380	1910	2550	3160
	1.1	1.5	40	70	120	180	300	470	710	980	1360	1850	2320
	1.5	2	30	60	90	130	230	360	550	760	1060	1440	1820
	2.2	3		40	60	100	170	280	430	600	820	1080	1310
	3	4		30	60	90	140	240	380	560	750	950	1200
	3.7	5		20	50	80	120	200	340	520	700	900	1150

## Capacitor & Relay Selection Table

HP	Running Capacitor (MFD)	Starting Capacitor (MFD)	Full Load (AMP)	Use Relay Range (AMP)
0.5	36	120/150	5	4.5 TO 7.5
0.75	56(36+20)	120/150	6.5	4.5 TO 7.5
1.0	61(36+25)	120/150	7.5	6 TO 10
1.25	72(36+36)	120/150	8.5	6 TO 10
1.5	72(36+36)	120/150	9.5	9 TO 15
2.0	90(45+45)	120/150	12	9 TO 15 OR 10 TO 16
3.0	108(36+36+36)	120/150	15	15 TO 22 OR 14 TO 21
4.0	125(50+50+25)	150/200	20	20 TO 33
5.0	150(50+50+50)	150/200	25	20 TO 33

## Conversion Table

Power :	
1 HP(Si)	0.746 kW
	746 W
1 HP(Metric)	0.736 kW
	736 W
1 kW	1000 W
Head :	
1 mtrs.	3.28 ft.
1 ft	0.3048 m.
1 kg/cm <sup>2</sup>	10 mtrs
Discharge Rate:	
1 m <sup>3</sup> /h	16.67 l/min
1 m <sup>3</sup> /s	60,000 l/min
1 l/s	60 l/min
1 Cu ft/s	1699.2 l/min
1 Imp. DPH	0.0757 l/min
	0.000126 l/min

Pressure :	
1 Atmosphere	1.033 kg/cm <sup>2</sup>
1 Atmosphere	14.7 lb/in <sup>2</sup>
1 Atmosphere	10.34 mwc
1 lb /in <sup>2</sup>	0.704 mwc
1 lb /in <sup>2</sup>	2.31 ft wc
1 lb /in <sup>2</sup>	51.6 mm of mercury.
1 cusec	1705 lpm.
	1 Acre inch/hr.
1 Cu mec	20558.3 Imp.
	1 Acre ft/hr.
Discharge :	
1 Imp Gallon	4.546 ltrs.
1 US Gallon	3.785 ltrs.
1 Cu m.	1000 ltrs.
1 Cu ft.	28.32 ltrs.
Weight :	
1 kg.	1000 gm.
1 kg.	2.2046 lb.
1 kg.	0.4536 kg.



## Current Rating Table

V3 / V4 Motor -SINGLE PHASE

Sr. No.	kW/ H.P	Speed in R.P.M	Current in Amp.
			(230V)
1	0.37/0.5	2760	5.3
2	0.55/0.75	2770	6.2
3	0.75/1.0	2780	7.5
4	1.1/1.5	2780	10.5
5	1.5/2.0	2790	13.8
6	2.2/3.0	2790	19.8
7	3.0/4.0	2800	23
8	3.7/5.0	2800	28

V4 Motor -THREE PHASE

Sr. No.	kW/ H.P.	Speed in R.P.M	Current in Amp.				Connection
			415V	380V	350V	300V	
1	0.37/0.5	2740	1.3	1.4	1.5	1.8	Star
2	0.55/0.75	2750	1.9	2.1	2.3	2.6	Star
3	0.75/1.0	2750	2.4	2.6	2.8	3.3	Star
4	1.1/1.5	2750	4	4.3	4.7	5.5	Star
5	1.5/2.0	2760	4.8	5.2	5.7	6.6	Star
6	2.2/3.0	2770	6.9	7.5	8.2	9.5	Star
7	3.0/4.0	2770	9	9.8	10.6	12.4	Star
8	3.7/5.0	2780	10.6	11.5	12.5	14.6	Star
9	4.5/6.0	2780	12.6	13.7	14.9	17.4	Star
10	5.5/7.5	2790	15.5	16.9	18.3	21.4	Star

V5 Motor -THREE PHASE

Sr. No.	kW/ H.P.	Speed in R.P.M	Current in Amp.				Connection
			415V	380V	350V	300V	
1	3.7/5.0	2820	10	10.9	11.5	13.5	Star
2	4.5/6.0	2820	12	13	14	16.5	Star
3	5.5/7.5	2820	14.5	15.8	17	20	Star
4	7.5/10.0	2830	19.5	21	23	27	Star/Delta

V6 Motor -THREE PHASE

Sr. No.	kW / H.P.	Speed in R.P.M	Current in Amp.				Connection
			415V	380V	350V	300V	
1	2.2/3.0	2790	6.5	7	7.5	9	Star
2	3.0/4.0	2790	8.5	9.2	10	11.5	Star
3	3.7/5.0	2810	10	10.9	11.5	13.5	Star
4	4.5/6.0	2810	12	13	14	16.5	Star
5	5.5/7.5	2820	14.5	15.8	17	20	Star
6	5.5/7.5	2820	14.5	15.8	17	20	Star/Delta
7	7.5/10	2820	19.5	21	23	27	Star/Delta
8	9.3/12.5	2830	25	27	29.5	34.5	Star/Delta
9	11.0/15.0	2830	29	31.5	34	40	Star/Delta
10	13.0/17.5	2850	34	37	40	47	Star/Delta
11	15.0/20.0	2850	39	42.5	46	53.5	Star/Delta
12	18.5/25.0	2850	48	52	56	66	Star/Delta

V6Motor -SINGLE PHASE

Sr. No.	kW / H.P	Speed in R.P.M	Current in Amp.
			230V
1	2.2/3.0	2800	15
2	3.0/4.0	2800	20
3	3.7/5.0	2800	25

## Friction Loss Table

### Galvanized Steel Pipe

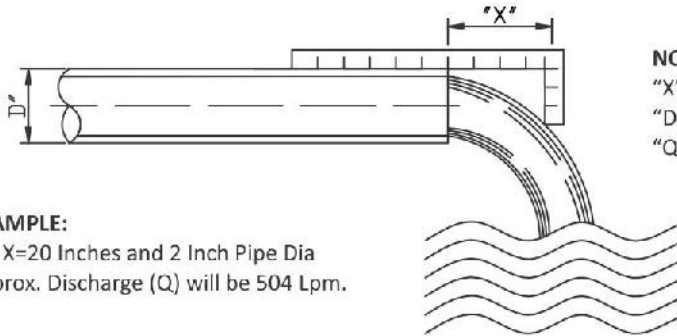
VOLUME RATE OF FLOW (LPM)	NOMINAL PIPE DIA IN mm								
	40	50	63	75	90	110	125	140	160
	FRICTION LOSS IN meters								
30	0.074								
60	0.268								
75	0.405	0.131							
96	0.640	0.211							
120	0.967	0.310							
150	1.462	0.483	0.150						
192	2.309	0.762	0.250	0.106					
240	3.491	1.153	0.337	0.160					
300		1.742	0.571	0.242					
480		4.161	1.363	0.577	0.237				
600			2.060	0.873	0.358	0.133			
750			3.114	1.319	0.542	0.201			
960			4.919	2.084	0.856	0.317	0.172		
1200				3.151	1.293	0.479	0.260		
1500					1.955	0.715	0.392	0.225	0.117
1920					3.089	1.145		0.355	0.184
2400						1.731	0.937	0.537	0.279
3000						2.617	1.416	0.812	0.421

### Rigid Pipe PVC

VOLUME RATE OF FLOW (LPM)	NOMINAL PIPE DIA IN mm								
	25	32	40	50	65	80	100	125	150
	FRICTION LOSS IN meters								
30	0.074								
60	0.268								
75	0.405	0.131							
96	0.640	0.211							
120	0.967	0.310							
150	1.462	0.483	0.150						
192	2.309	0.762	0.250	0.106					
240	3.491	1.153	0.337	0.160					
300		1.742	0.571	0.242					
480		4.161	1.363	0.577	0.237				
600			2.060	0.873	0.358	0.133			
750			3.114	1.319	0.542	0.201			
960			4.919	2.084	0.856	0.317	0.172		
1200				3.151	1.293	0.479	0.260		
1500					1.955	0.715	0.392	0.225	0.117
1920					3.089	1.145		0.355	0.184
2400						1.731	0.937	0.537	0.279
3000						2.617	1.416	0.812	0.421



## Discharge Rating Table



**NOTE:**  
 "X": Horizontal Distance in Inches  
 "D": Normal Pipe Diameter in Inches  
 "Q": Discharge in LPM.

**EXAMPLE:**  
 For X=20 Inches and 2 Inch Pipe Dia  
 Approx. Discharge (Q) will be 504 Lpm.

HORIZONTAL DISTANCE "X" IN INCHES	NOMINAL PIPE DIAMETER								
	1"	1.25"	1.5"	2"	2.5"	3"	4"	5"	6"
	DISCHARGE RATE (Q) (LPM)								
4	26	44	60	100	141	222	377	590	863
5	32	55	75	127	177	277	472	749	1090
6	39	67	91	150	213	331	567	885	1294
7	46	78	105	177	250	386	663	1044	1521
8	51	89	120	200	281	445	754	1180	1725
9	58	100	135	227	318	499	849	1339	1952
10	64	111	151	250	354	554	944	1475	2156
11	71	118	166	277	390	608	1040	1634	2383
12	77	132	177	300	427	667	1135	1771	2588
13	84	143	195	327	459	722	1226	1930	2815
14	91	154	211	350	495	776	1321	2043	3019
15	97	165	225	377	531	831	1416	2225	3223
16	104	177	240	400	567	890	1512	2361	3450
17	109	188	256	427	604	944	1603	2520	3677
18	116	198	271	450	636	999	1698	2679	3882
19	123	210	286	477	672	1053	1793	2815	4109
20	129	221	301	500	708	1108	1889	2951	4313
21	137	232	316	527	745	1162	1984	3110	4540
22	142	243	331	554	781	1221	2075	3269	4767
23	148	254	345	577	813	1276	2170	3405	4971
24	155	265	360	604	849	1330	2265	3541	5175
25	161	276	375	627	885	1389	2361	3700	5402
26	167	287	390	654	922	1444	2456	3836	5607
27	174	298	405	676	958	1498	2547	3995	5834
28	181	308	421	704	990	1553	2642		
29	187	320	436	726	1026	1607	2738		
30	193	331	451	754	1062	1666	2833		
31			468	776	1099	1721			
32			481	804	1135	1775			
33			495	826	1167	1830			
34			513	854	1203	1884			
35			527	881	1239	1943			
36			540	903	1276	1998			

*Note: All Specifications and Table in catalogue are for reference only as because of Continuous development it may change without prior notification.*



# **Teraflo**<sup>®</sup>

**SUBMERSIBLE PUMPS**

**TERAFLO ENGINEERING PVT. LTD.**

Plot No. 11 & 12, Shreeram Ind. Area,  
Lothda - Pardi Road, At. Lothda 360 002  
(Gujarat - India)

Email: [info@teraflo.com](mailto:info@teraflo.com)

[www.teraflo.com](http://www.teraflo.com)